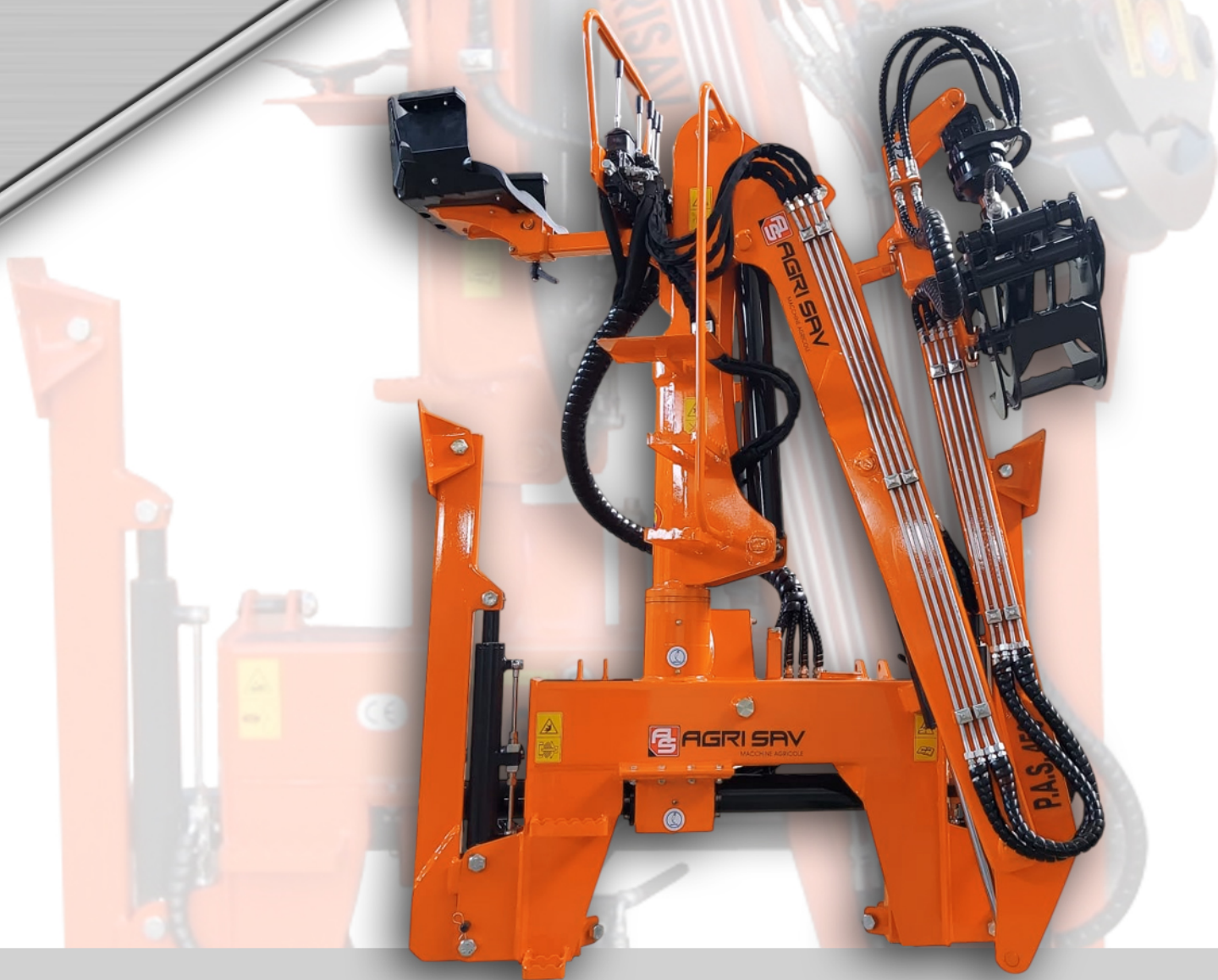




**AGRI SAV**  
MACCHINE AGRICOLE

Via delle Concerie, 1  
12038 - Savigliano (CN)  
Tel: 0172 21847 - Fax: 0172 21847  
E-mail: info@agrisav.it

[www.agrisav.it](http://www.agrisav.it)

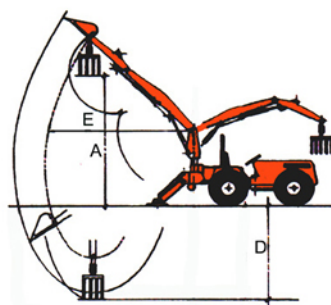


FOREST LOADER

**P.A.S. 450**

# P.A.S. 450

## TECHNICAL DATA



Max arm length (mm) [E]:	4500
Max height (mm) [A]:	5500
Max depth (mm) [D]:	2500
Lifting weight in outstretched arm (Kg):	450
Loader weight (Kg):	610
Rotation:	360° (not continued)
Telescope length (mm):	800
Oil system (L):	45
PTO (rpm):	540
Working pressure (bar):	180
Power required (Hp):	50/80

### Standard equipment:

- Universal three-point attacks
- Pump with oil reservoir
- Independent hydraulic feet
- Telescopic arm mm 800
- The driving position with the seat

### Accessories:

- Closed bucket
- Excavating bucket 30 cm
- Excavating bucket 40 cm
- Ditch cleaning bucket
- Manure fork
- Joystick controls
- 2 foot controls
- Radio control
- Servo control
- Multiplier with tail shaft passer
- Mounting brackets
- Continuous rotor QL 30 RBI
- Grapple for trunks mm 1100
- Reversible arm Z

