



AGRI SAV
MACCHINE AGRICOLE

Via delle Concerie, 1
12038 - Savigliano (CN)
Tel: 0172 21847 - Fax: 0172 21847
E-mail: info@agrisav.it

www.agrisav.it



FOREST LOADER

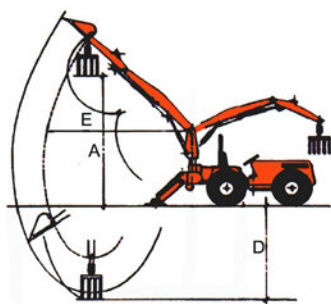
P.A.S. 300

P.A.S. 300



TECHNICAL DATA

Max arm length (mm) [E]:	3500
Max height (mm) [A]:	4900
Max depth (mm) [D]:	1700
Lifting weight in outstretched arm (Kg):	300
Loader weight (Kg):	360
Rotation:	360° (non continua)
Telescope length (mm):	500
Working pressure (bar):	180
Power required (Hp):	25/50



Standard equipment:

- Universal three-point attacks
- Independent hydraulic feet
- Hydraulic telescopic arm

Accessories:

- Pump and oil reservoir
- The driving position with the seat
- Manure fork
- Excavating bucket 200mm with piston
- Excavating bucket 250 mm with piston
- Joystick controls
- Multiplier with tail shaft passer
- Mounting brackets
- Continuous rotor QL 10 RBI
- Grapple for trunks mm 1000
- Reversible arm Z

